



Application



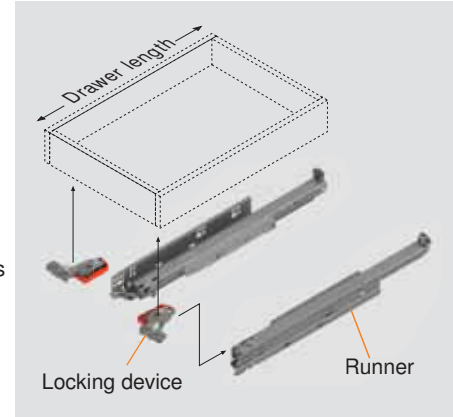
Features

- Four-dimensional adjustment
- Elongated holes for depth adjustment
- Bottom mount holes
- 125 lb static load capacity

Description

- Designed to be used with TIP-ON BLUMOTION touch-to-open system
- Full extension concealed runners
- Frameless or blocked-out face frame cabinets
- BLUMOTION soft closing
- MOVENTO smooth running action
- Available in 12" to 21" lengths
- 16 (5/8") drawer thickness

Basic Components



Components

Runner set

One set required per drawer



| For overall cabinet depth | Drawer length | MOVENTO |
|-------------------------------|---------------|--------------|
| 610 (24") | 533 (21") | 763.5330M |
| 533 (21") | 457 (18") | 763.4570M |
| 457 (18") | 381 (15") | 763.3810M |
| 381 (15") | 305 (12") | 763.3050M |
| Wood screw for installation | | 606N or 606P |
| System screw for installation | | 662.1150.HG |

Standard locking device with side-to-side adjustment



- One right and one left required per drawer
- Captive right and self-aligning left device
- Self-adjusting drawer length tolerance
- Steel base with synthetic, spring-loaded release levers
- Minimum inside drawer width 170 (6-11/16")
- Side-to-side adjustment ±1.5 (1/16")
- For use with MOVENTO runners only
- For other options see page 22

Part no.

Right locking device **T51.7601 R**

Installation Left locking device **T51.7601 L**

page 7 Installation screw **606N or 606P**

TIP-ON BLUMOTION

- Enables MOVENTO drawers to be opened with just a light touch of the drawer front and retain BLUMOTION soft closing action
- Fully mechanical motion
- Can be used with or without pulls
- Minimum inside drawer width 281 (11-1/16")



page 12

Drawer and Cabinet Specifications

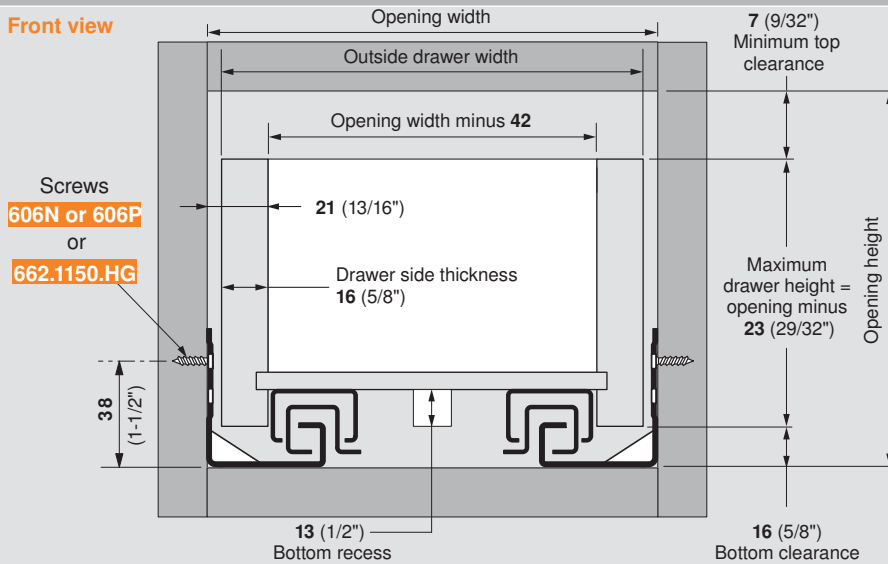
| | |
|----------------------|-----------|
| Drawer thickness | 16 (5/8") |
| Lengths available | 12" - 21" |
| Static load capacity | 125 lb |

MOVENTO



Drawer box specifications

Front view



NOTE: Drawer side material thickness may vary. Accurate measurement of drawer side material thickness should be used when calculating outside drawer width using the table below. Inside drawer width **must** equal opening width minus 42 (1-21/32") for MOVENTO runners to align and function optimally.

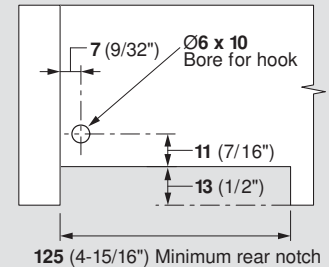
Calculating outside drawer width

| | |
|---------------------------|-------------|
| For drawer side thickness | 16 (5/8") |
| Deduct from opening width | 10 (13/32") |

Example: For 21" opening width and a 5/8" thick drawer, 21" minus 13/32" = 20-19/32" drawer width

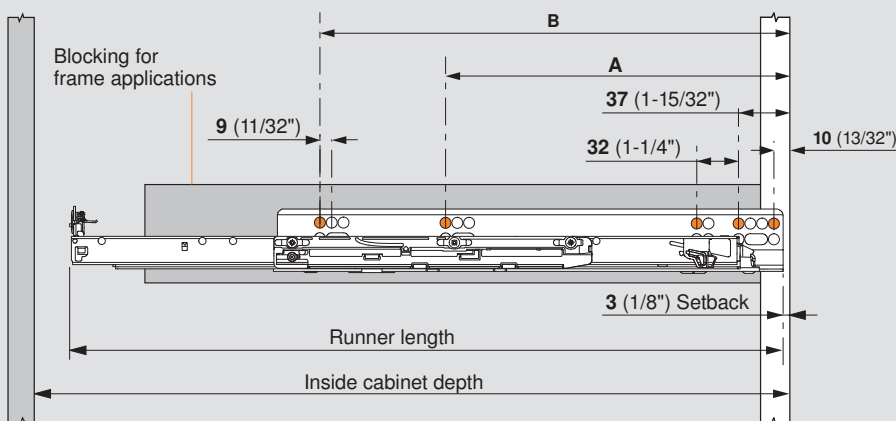
Drawer back preparation

Rear view



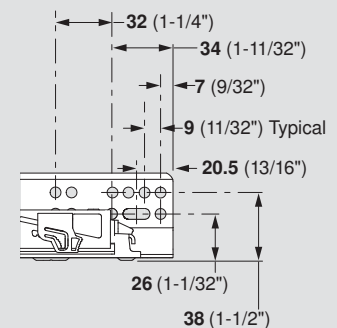
Runner mounting specifications

Side view



NOTE: The orange dots indicate fixing screw locations required to meet specified load ratings

Runner close-up



NOTE: Elongated holes are for ±4.5 (3/16") depth adjustment only. Additional screws must be used to secure the runner to the cabinet.

| MOVENTO | Drawer length | Minimum inside cabinet depth | Runner length | Screw location | |
|-----------|---------------|------------------------------|----------------|----------------|----------------|
| | | | | A | B |
| 763.5330M | 533 (21") | 553 (21-13/16") | 544 (21-7/16") | 261 (10-9/32") | 357 (14-1/16") |
| 763.4570M | 457 (18") | 477 (18-13/16") | 468 (18-7/16") | 261 (10-9/32") | 357 (14-1/16") |
| 763.3810M | 381 (15") | 401 (15-13/16") | 392 (15-7/16") | 165 (6-1/2") | 357 (14-1/16") |
| 763.3050M | 305 (12") | 325 (12-13/16") | 316 (12-7/16") | 165 (6-1/2") | 261 (10-9/32") |