

# MOVENTO



## TIP-ON BLUMOTION for MOVENTO

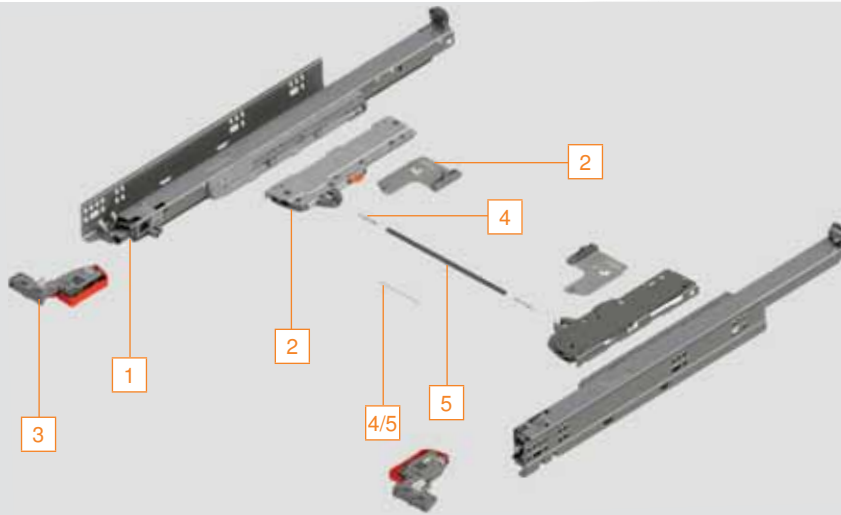
### Application



### Description

- Enables MOVENTO drawers to be opened with just a light touch of the drawer front
- Same installation dimensions as MOVENTO
- Fully mechanical motion
- Smooth running action
- Four-dimensional adjustment
- Load capacity of runner remains unchanged
- Can be used with or without pulls

### Components



**NOTE:** Parts identified below and on the next page

### TIP-ON BLUMOTION for MOVENTO

#### Sets include:

- Left and right MOVENTO runners
- Left and right TIP-ON units and triggers

**1** Left and right MOVENTO runners



**2** Left and right TIP-ON unit and trigger




For overall cabinet depth	Drawer length	Dynamic load capacity		S1	L1	L3	L5
		110 lb	155 lb	0 - 44 lb	0 - 44 lb	44 - 88 lb	88 - 155 lb
686 (27")	610 (24")		769.6100M				T60L7570
610 (24")	533 (21")	763.5330M	769.5330M		T60L7340	T60L7540	T60L7570
533 (21")	457 (18")	763.4570M	769.4570M		T60L7340	T60L7540	T60L7570
457 (18")	381 (15")	763.3810M			T60L7340	T60L7540	
381 (15")	305 (12")	763.3050M		T60L7140			
Installation wood screw		606N or 606P					
Installation system screw		662.1150.HG					



**Standard locking device with side-to-side adjustment**

**3**




- One right and one left required per drawer
- Captive right and self-aligning left device
- Self-adjusting drawer length tolerance
- Steel base with synthetic, spring-loaded release levers
- Minimum inside drawer width **170** (6-11/16")
- Side-to-side adjustment  $\pm 1.5$  (1/16")
- For use with MOVENTO runners only
- For other options see page 22

Part no.

	Right locking device	<b>T51.7601 R</b>
Installation	Left locking device	<b>T51.7601 L</b>
<b>page 7</b>	Installation screw	<b>606N or 606P</b>

**TIP-ON BLUMOTION for MOVENTO front gap template**




- For creating a **3.5** (1/8") front gap

Part no.

		<b>65.5632.US</b>
--	--	-------------------

**TIP-ON BLUMOTION synchronization**

**4**




- To be used with the optional synchronization rod
- Two needed per application

Part no.

	Synchronization adapters	<b>T60.000D</b>
--	--------------------------	-----------------

**5**




- Opening width:  
Minimum = **314** (12-3/8")  
Maximum = **1385** (54-1/2")
- Length **1118** (44-1/32"), cut to size

Part no.

	Synchronization rod	<b>T60L1118W</b>
--	---------------------	------------------

**TIP-ON BLUMOTION synchronization for narrow applications**

**4/5**

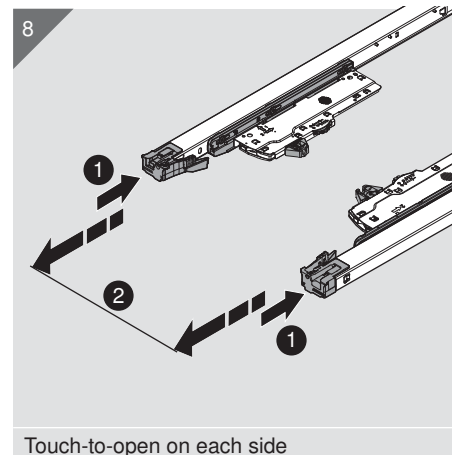
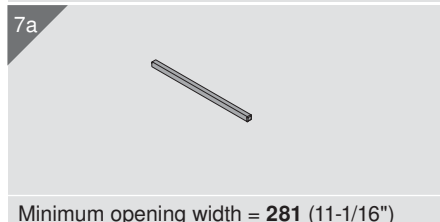
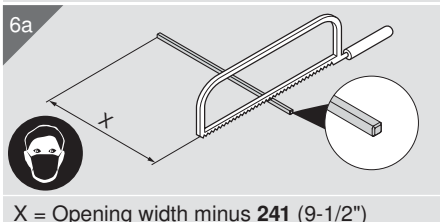
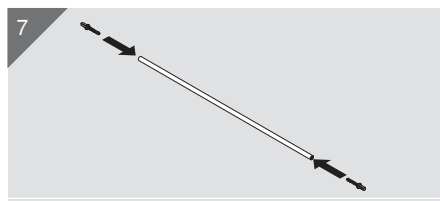
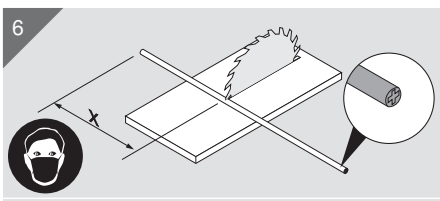
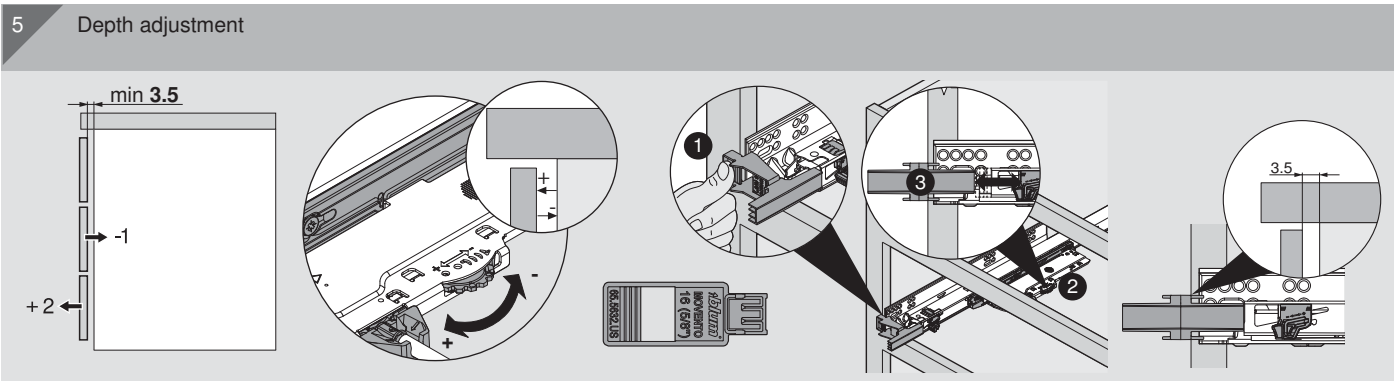
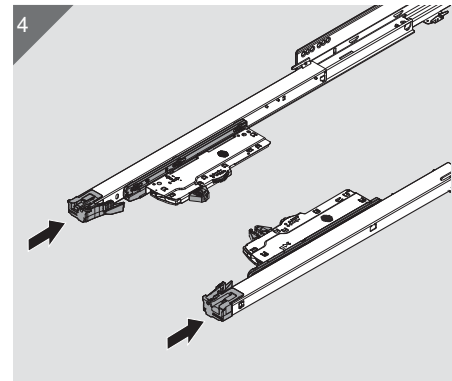
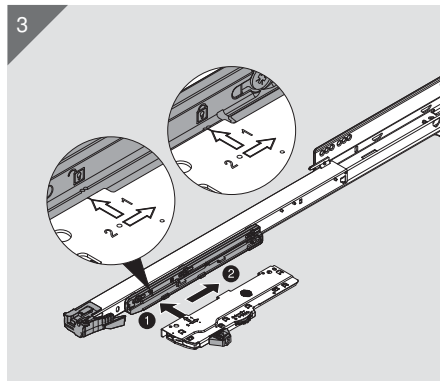
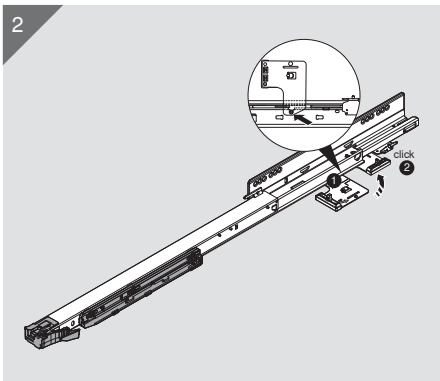
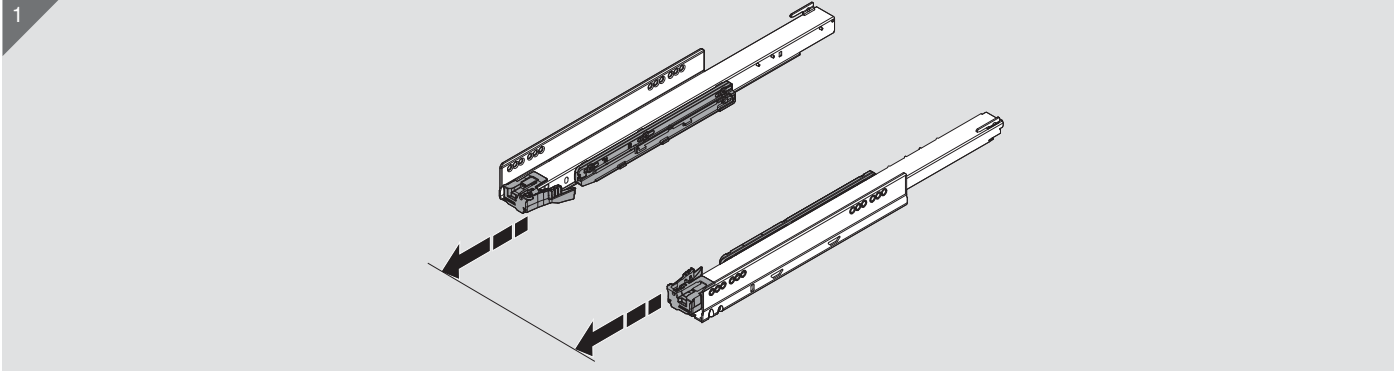


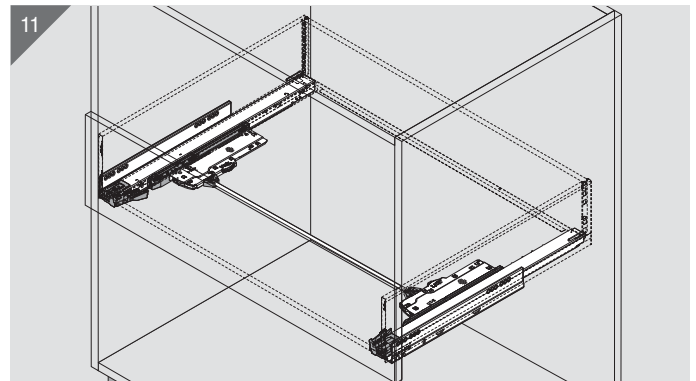
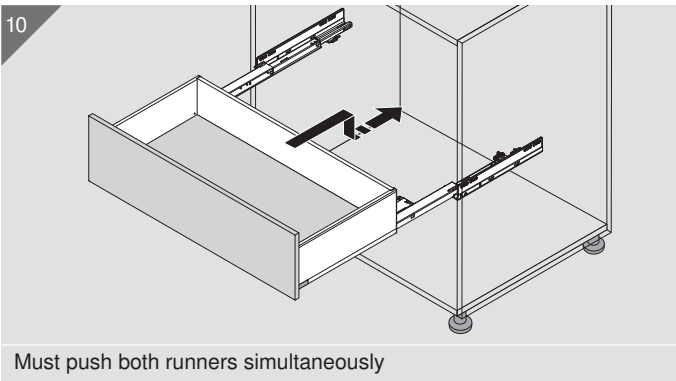
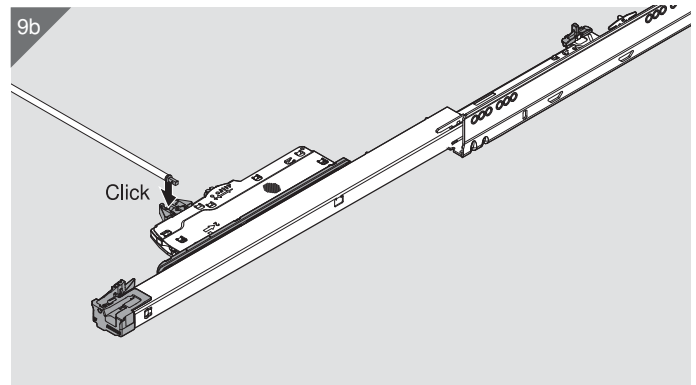
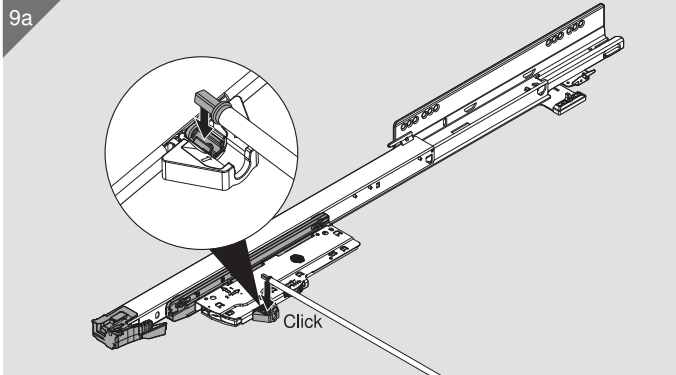
- Opening width:  
Minimum = **281** (11-1/16")  
Maximum = **305** (12")
- Length **64** (2-1/2"), cut to size

Part no.

	Sync. rod	<b>T60.300D.22</b>
--	-----------	--------------------

**NOTE:** A synchronization rod is recommended for all cabinet widths for optimal function





Removal

